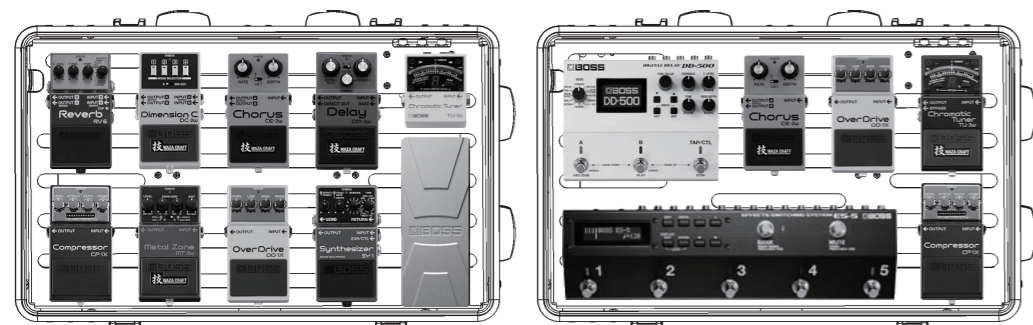


Effect Unit Installation Examples

By using the slits in the plate to route the cables behind the plate, you can hide the cabling to get a clean layout.

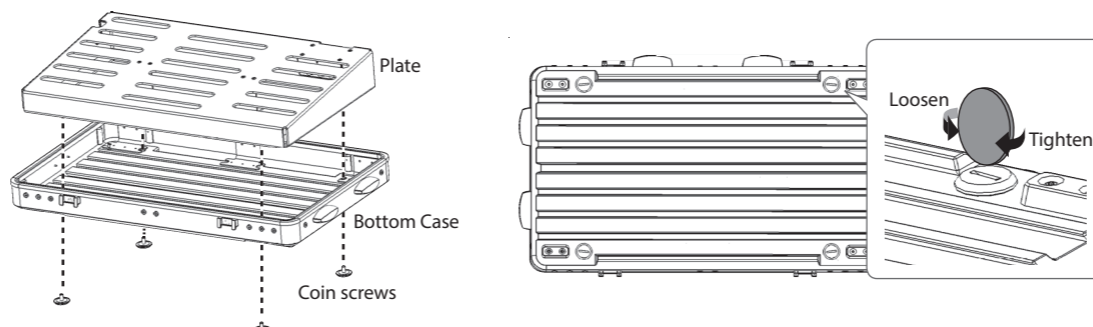
- * You can install a commercially available power supply under the plate.
- * To secure the effect units, use commercially available hook-and-loop fasteners.



Removing the Plate

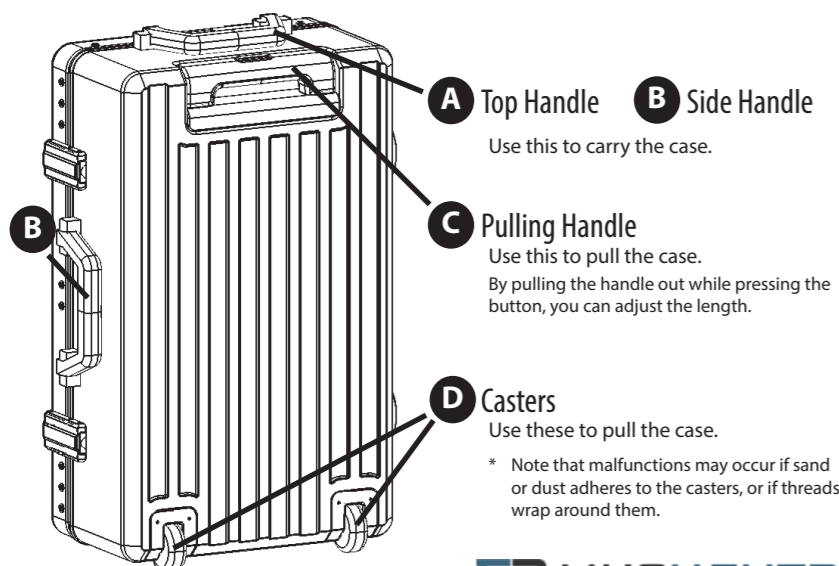
If you want to route cables behind the plate, your work will be easier if you remove the plate from the bottom case. To remove the plate from the bottom case, turn the bottom case over and loosen the coin screws at the four corners.

- * Take care that the plate does not fall when you loosen the coin screws.
- * When attaching the plate to the bottom case, make sure that the cables you installed are not pinched between the bottom case and the plate, and then tighten the coin screws.



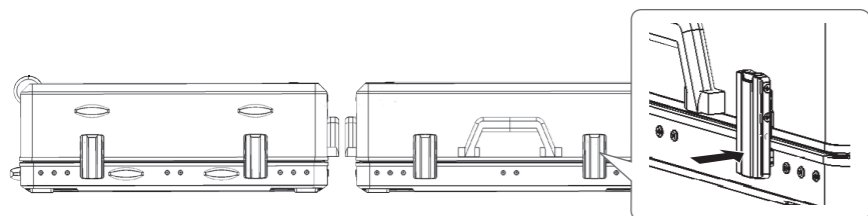
Before You Use the Case

Parts and functions of the top case



Attaching the top case

Before carrying the case, align the four fasteners of the top case with the bottom case, and press the fasteners inward until you hear them click into place.



For details on the BCB-1000, refer to the BOSS website.
<https://www.boss.info/global/products/bcb-1000/>

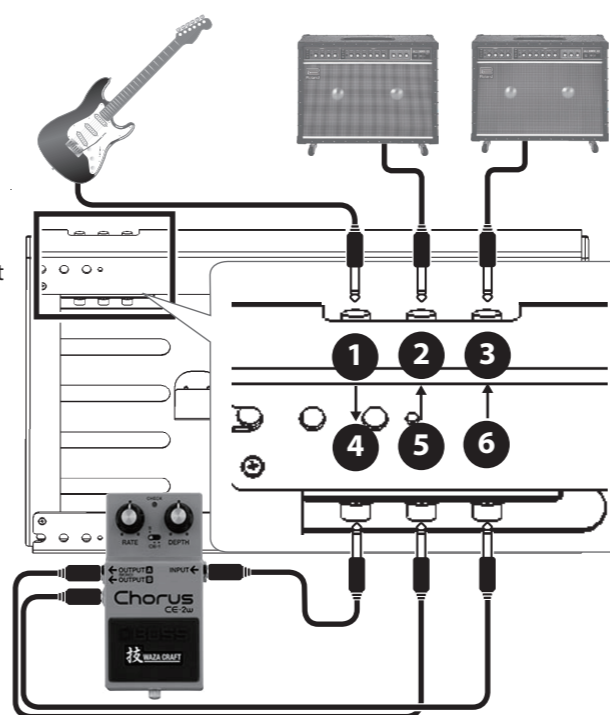
For BOSS cables, refer to the BOSS website (Accessories).
https://www.boss.info/global/categories/accessories/boss_cables/



Connecting the Equipment

Simply connect the INPUT/OUTPUT jacks of the plate to your guitar and amp, and you're ready to perform. To connect the pedals, use the SEND/RETURN jacks located on the back of the plate.

- 1 INPUT jack**
Connect your guitar.
- 2 OUTPUT A jack**
Connect your guitar amp.
- 3 OUTPUT B jack**
Connect your guitar amp. Use these for stereo output, or if you want an output that is separate from the OUTPUT A jack.
- 4 SEND jack**
This outputs the signal that is input to the INPUT jack. Connect this to the input of your effect unit.
- 5 RETURN A jack**
Connect this to the output of your effect unit. The signal is output to the OUTPUT A jack.
- 6 RETURN B jack**
Connect this to the output of your effect unit. The signal is output to the OUTPUT B jack.



Main Specifications

Connectors	INPUT Jack (1/4" phone type) SEND Jack (1/4" phone type) RETURN A/B Jack (1/4" phone type) OUTPUT A/B Jack (1/4" phone type)
Dimensions	558 (W) x 354 (D) x 194 (H) mm 22 (W) x 14 (D) x 7-5/8 (H) inches 496 (W) x 293 (D) x 94 (H) mm (front) 496 (W) x 293 (D) x 80 (H) mm (back)
Pedal installation dimensions	19-1/2 (W) x 11-1/2 (D) x 3-3/4 (H) inches (front) 19-1/2 (W) x 11-1/2 (D) x 3-1/8 (H) inches (back)
Weight	6.7 kg (14 lbs 13 oz)
Accessories	Owner's Manual

* This document explains the specifications of the product at the time that the document was issued. For the latest information, refer to the Roland website.

USING THE UNIT SAFELY

INSTRUCTIONS FOR THE PREVENTION OF FIRE, ELECTRIC SHOCK, OR INJURY TO PERSONS

About ⚠ WARNING and ⚠ CAUTION Notices		About the Symbols	
⚠ WARNING	Used for instructions intended to alert the user to the risk of death or severe injury should the unit be used improperly.	⚠	The ⚠ symbol alerts the user to important instructions or warnings. The specific meaning of the symbol is determined by the design contained within the triangle. In the case of the symbol at left, it is used for general cautions, warnings, or alerts to danger.
⚠ CAUTION	Used for instructions intended to alert the user to the risk of injury or material damage should the unit be used improperly. * Material damage refers to damage or other adverse effects caused with respect to the home and all its furnishings, as well to domestic animals or pets.	⊘	The ⊘ symbol alerts the user to items that must never be carried out (are forbidden). The specific thing that must not be done is indicated by the design contained within the circle. In the case of the symbol at left, it means that the unit must never be disassembled.
		⦿	The ⦿ symbol alerts the user to things that must be carried out. The specific thing that must be done is indicated by the design contained within the circle. In the case of the symbol at left, it means that the power-cord plug must be unplugged from the outlet.

ALWAYS OBSERVE THE FOLLOWING

- ⚠ WARNING**
Do not disassemble or modify by yourself
Do not carry out anything unless you are instructed to do so in the owner's manual. Otherwise, you risk causing malfunction.
- ⚠ CAUTION**
Do not repair or replace parts by yourself
Be sure to contact your dealer, a Roland service center, or an official Roland dealer.
For a list of Roland service centers and official Roland dealers, refer to the Roland website.
- ⚠ CAUTION**
Do not place in an unstable location
Otherwise, you risk injury as the result of the unit toppling over or dropping down.
- ⚠ CAUTION**
Be cautious to protect children from injury
Always make sure that an adult is on hand to provide supervision and guidance when using the unit in places where children are present, or when a child will be using the unit.
- ⚠ CAUTION**
Do not drop or subject to strong impact
Otherwise, you risk causing damage or malfunction.

IMPORTANT NOTES

- Placement**
Depending on the material and temperature of the surface on which you place the unit, its rubber feet may discolor or mar the surface.
- Maintenance**
Never use benzine, thinners, alcohol or solvents of any kind, to avoid the possibility of discoloration and/or deformation.
- Additional Precautions**
When disposing of the packing carton or cushioning material in which this unit was packed, you must observe the waste disposal regulations that apply to your locality.
- When opening/closing the cover, please be careful not to get your fingers pinched between the movable part and the unit. In places where small children are present, make sure that an adult provides supervision and guidance.
- Intellectual Property Right**
Roland and BOSS are either registered trademarks or trademarks of Roland Corporation in the United States and/or other countries.
Company names and product names appearing in this document are registered trademarks or trademarks of their respective owners.

- ⚠ CAUTION**
Avoid climbing on top of the unit, or placing heavy objects on it
Otherwise, you risk injury as the result of the unit toppling over or dropping down.
- ⚠ CAUTION**
Take care so as not to get fingers pinched
When handling the following moving parts, take care so as not to get fingers, toes, etc., pinched. Whenever a child uses the unit, an adult should be on hand to provide supervision and guidance.
• Case
• Handles
• Plate
- ⚠ CAUTION**
Keep small items out of the reach of children
To prevent accidental ingestion of the parts listed below, always keep them out of the reach of small children.
• Removable Parts
• Coin screws

Roland Service Centers and Distributors
When you need repair service, access this URL and find your nearest Roland Service Center or authorized Roland distributor in your country.
<http://roland.cm/service>

Manufacturer: Roland Corporation
2036-1 Nakagawa, Hosoe-cho, Kita-ku, Hamamatsu, Shizuoka 431-1304, JAPAN
Importer: Roland Corporation
ENA 23 Zone 1 nr. 1620 Klaus-Michael Kuehnelaan 13, 2440 Geel, BELGIUM

